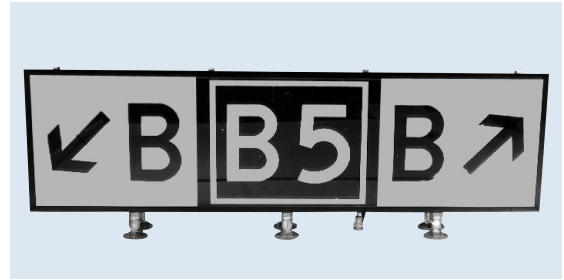


AGSF

Airside™ Guidance Sign Fiberglass

Compliances:

- FAA AC 150/5345-44: L-858
- Unified Facilities Criteria UFC 3-535-01



Applications

AGSF Signs are designed for use on airport runways to mark taxi routes and taxiways/runways intersections. Colors may be black on yellow, yellow on black, or white on red depending on the application as defined by the governing standards such as FAA AC 150/5340-18.

Features



- ETL Certified
- FAA Approved as Size 3, Class 1 sign
- Sign meets FAA style 5 requirements
- Tethers
- Power factor greater than 85% across all brightness steps
- Uses fluorescent long life lamp
- Internally illuminated
- Lamps commercially available
- Externally mounted Ballast Assembly for easy maintenance
- External on/off switch allows safe maintenance by isolating sign from series circuit
- Lamp bypass circuit for Ballast protection
- Reinforced fiberglass housing
- Hinged sign face for easy relamping
- No tools needed to replace Lamps
- Electrical connection fits baseplate with 2" hub

Ordering Information

How to Order: List the basic catalog number for single or double faced sign and add suffixes for sign length. Order isolation transformer, transformer housing, coverplate and gasket or baseplate separately.

The colors of the sign faces and the legends must be specified for each sign. Multiple messages and colors may appear on a single seamless sign face.

Basic Catalog Number: _____

60915 (Single Face)

62055 (Double Face)

Sign Length: _____

4 = 4 Feet, FAA Size 3 (42" high) sign.

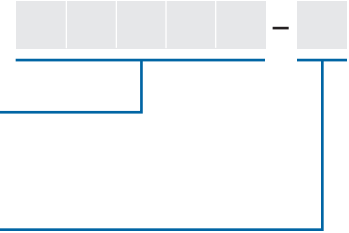
6 = 6 Feet, FAA Size 3 (42" high) sign.

8 = 8 Feet, FAA Size 3 (42" high) sign.

10 = 10 Feet, FAA Size 3 (42" high) sign.

12 = 12 Feet, FAA Size 3 (42" high) sign.

D = 4 Foot, FAA Size 5 (42" high) Distance Marker (25" high numerals).



Technical Data

Airside™ Guidance Signs - Fiberglass (AGSF)
Measured Load (VA) & Power Factor (PF)

Instruction Manual: 9424

Sign Catalog Number	Isolation Transformer	VA	PF
60915-4	100 Watts	54	0.85
60915-6	100 Watts	66	0.87
60915-8	200 Watts	130	0.85
60915-10	200 Watts	130	0.85
60915-12	200 Watts	163	0.88
62055-4	100 Watts	79	0.87
62055-6	200 Watts	163	0.88
62055-8	200 Watts	163	0.88
62055-10	200 Watts	163	0.88
62055-12	300 Watts	221	0.85

Lamp Cross-Reference Table

Reference Sign Catalog Number	Number of Lamps Per Sign	Crouse-Hinds Lamp Part Number	Standard Fluorescent Lamp	Lamp Wattage
60915-4	1	10047-2523	F24T12/D/HO	35 Watts
60915-6	1	10047-2524	F36T12/SGN/HO	45 Watts
60915-8	2	10047-2523	F24T12/D/HO	35 Watts
60915-10	2	10047-2524	F36T12/SGN/HO	45 Watts
60915-12	2	10047-2524	F36T12/SGN/HO	45 Watts
62055-4	1	10047-1573	F36T12/CW/HO	45 Watts
62055-6	2	10047-2524	F36T12/SGN/HO	45 Watts
62055-8	2	10047-1573	F36T12/CW/HO	45 Watts
62055-10	2	10047-1573	F36T12/CW/HO	45 Watts
62055-12	3	10047-1573	F36T12/CW/HO	45 Watts

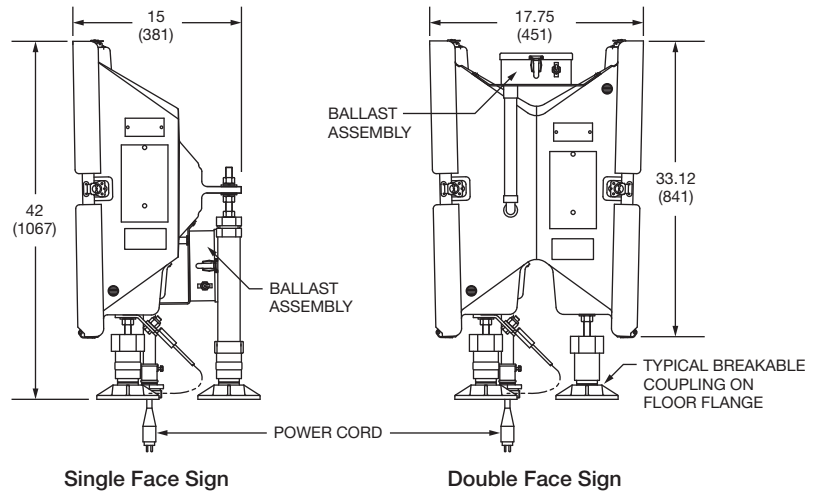
Frangible Coupling & Lamps

Description	Catalog Number
Frangible Coupling, Single Face Signs	61062
Frangible Coupling, Double Face Signs	61066
Frangible Coupling, Power Feed	50184
Frangible Coupling, Power Feed, Optional	50186

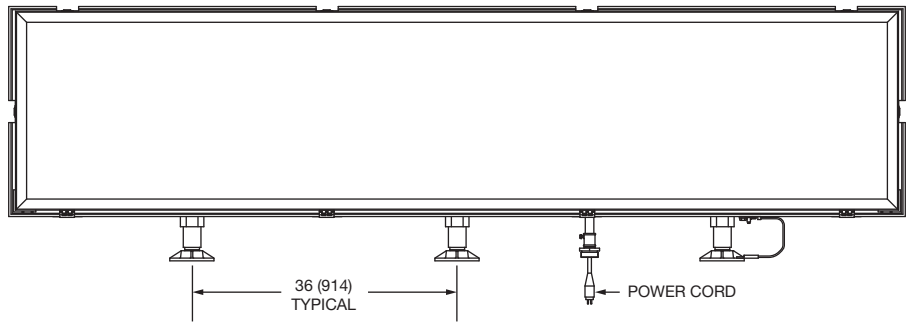


Dimensional Information

Dimensions: inches (mm)

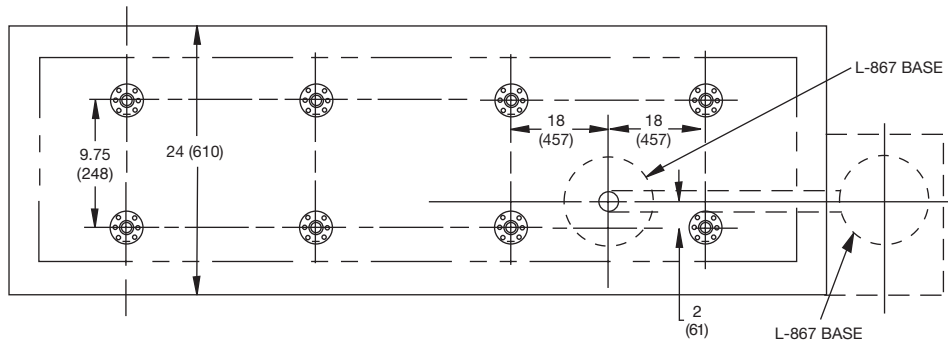


Typical Side View Outlines for 4, 6, 8, 10 and 12 Feet Signs



Front View Outline

Shown with 8 legs on 12 feet sign

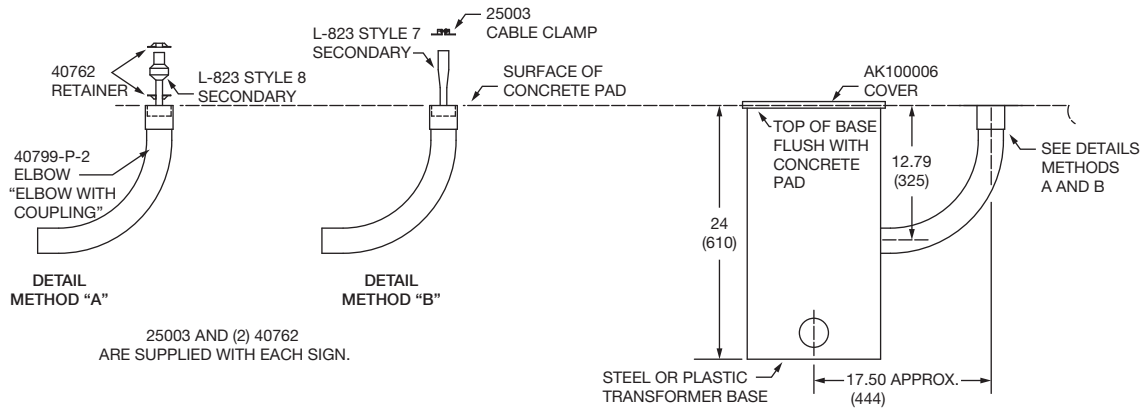


Foot Print Information

- 4 Legs Layout (from right to left) for 4 and 6 feet signs.
- 6 Legs Layout (from right to left) for 8 and 10 feet signs.
- 8 Legs Layout (from right to left) for 12 feet signs.

Installation Details

Elbow Mounting Detail



Accessories

Description	Part Number	Shipping Weight		Shipping Volume	
		Lbs.	Kg.	Cu.Ft.	Cu.M.
Base L-867, Class 1, 24 inches deep	AC21242H200301	52.0	23.6	2.6	0.074
Baseplate, 2 inch Hub	AP1932	8.0	3.6	0.14	0.004
Blank Coverplate, 0.375 inches thick	AK100006	5.0	2.3	0.13	0.004
Gasket for Coverplate	10530287				
Isolation Transformer 100 watts, 6.6/6.6A	33004	12.0	5.4	0.4	0.011
Isolation Transformer 200 watts, 6.6/6.6A	33006	16.0	7.3	0.4	0.011
Isolation Transformer 300 watts, 6.6/6.6A	33010	23.0	10.4	0.6	0.017
Primary L-823 Connector Kit	823KP-D4-D4				
Secondary Cable Assembly, 2 meters*	CAS1M-PR-B-2				

* Other lengths available.

Renewal Parts

Description	Part Number
Ballast (One Per Lamp)	61106
Floor Flange	25684-1
Fluorescent Lamp, 24**	10047-2523
Fluorescent Lamp, 36**	10047-2524
Fluorescent Lamp, 36**	10047-1573
Frangible Coupling: For Single Face Signs	61062
Frangible Coupling: For Double Face Signs	61066
Frangible Coupling: For Power Feed	50184
Frangible Coupling: For Power Feed, Optional	50186
Sign Face & Frame Assembly**	60992-X-L
Tether	60984

* Refer to Lamp cross-reference table on page 5.7.

** Insert 4, 6, 8, 10, or 12 in place of "X" to indicate sign length (feet).

Note:

1. Add description of color and legend.

Shipping Weights and Volumes

Sign Cat. Number	Shipping Weight		Shipping Volume	
	Lbs.	Kg.	Cu. Ft.	Cu. M.
60915-4 or D	115	52	20	0.57
60915-6	140	64	30	0.85
60915-8	210	95	45	1.27
60915-10	235	107	55	1.56
60915-12	310	141	65	1.84
62055-4 or D	155	70	25	0.71
62055-6	205	93	35	0.99
62055-8	290	132	50	1.42
62055-10	370	168	60	1.70
62055-12	440	200	75	2.12

