

## ALARM INDICATING LIGHT

### FEATURES/BENEFITS

The Cooper Crouse-Hinds Alarm Indicating Light Assembly consists of the following:

- Cast aluminum box
- Lamp—6W for 120VAC units
- Lamp—10W for 230VAC unit
- Threaded Hub—1 inch NPT
- 120VAC or 230VAC operation
- Gasketed box cover
- 1 inch lens (red, amber, green)

### APPLICATION

- This unit may be used to indicate power is applied to the lighting controls, or be used to indicate a fault has occurred.
- This indicator light is designed for outdoor mounting in a vertical conduit run.

### WEIGHTS & MEASUREMENTS

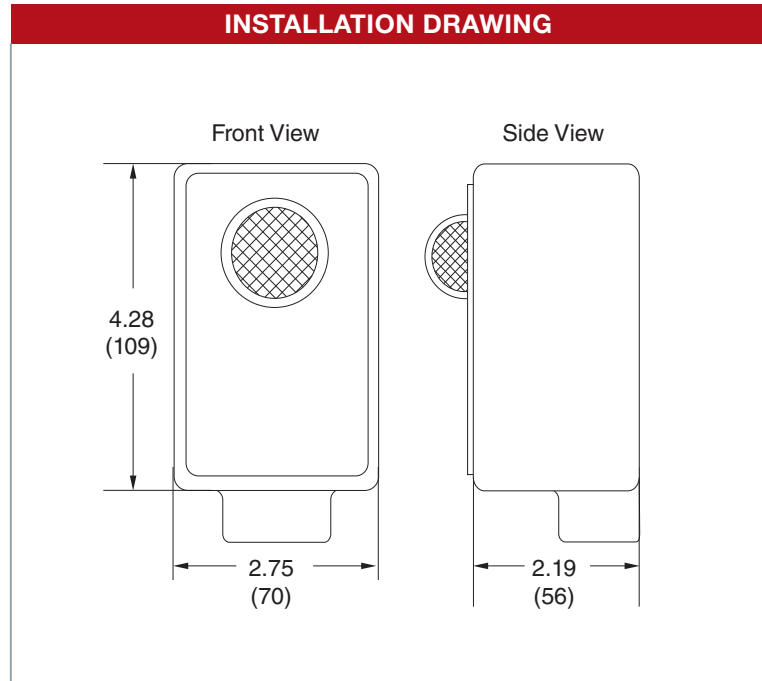
|                  |                     |                      |
|------------------|---------------------|----------------------|
| Shipping Weight: | 4.0 lbs             | 1.8 kg               |
| Shipping Volume: | 0.2 ft <sup>3</sup> | 0.006 m <sup>3</sup> |

### ORDERING INFORMATION

| Catalog Number | Description           | Voltage |
|----------------|-----------------------|---------|
| 12010-001-R*   | Indicating light, red | 120     |
| 12010-002-R*   | Indicating light, red | 230     |

\*Optional colors: G = Green; A = Amber

### INSTALLATION DRAWING



### INSTALLATION

#### Connection to a power source and load

1. Remove four (4) cover screws.
2. Make power and load connections.
3. When field connections are complete, reinstall cover using four (4) screws provided.