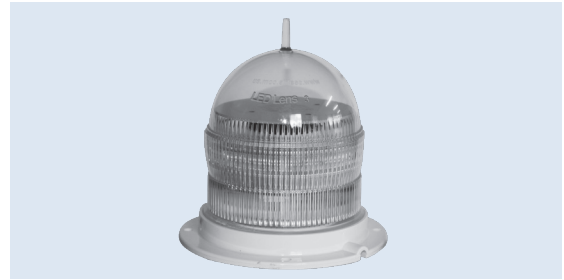


AV07

12v Obstruction Light

Compliances:

Low Intensity Type A Obstruction Light, ICAO Annex 14 Volume 1, 'Aerodrome Design and Operations', Fourth edition July 2004, table 6.3



Applications

- 12v Obstruction Light (LIOL A)

The AV07 is a low intensity 12 volt LED marker and obstruction light fixture designed to comply with ICAO requirements for obstructions whereby the height does not exceed 45m (LIOL A).

Features

- CE Certified
- 12v
- ICAO Approved AV07 12v Obstruction Light (LIOL A)
- 20 ultra-high intensity LEDs (no changing globes ever)
- IP68 waterproof rating
- Top of the light indicates LED light color
- Automatic night activation
- Tough UV-stabilized LEXAN® polycarbonate lens and light base
- Self-cleaning aviation dome lens specifically designed for use with LEDs
- Provided with 1mt of cable for ease of installation

Ordering Information



Part Number: AV07

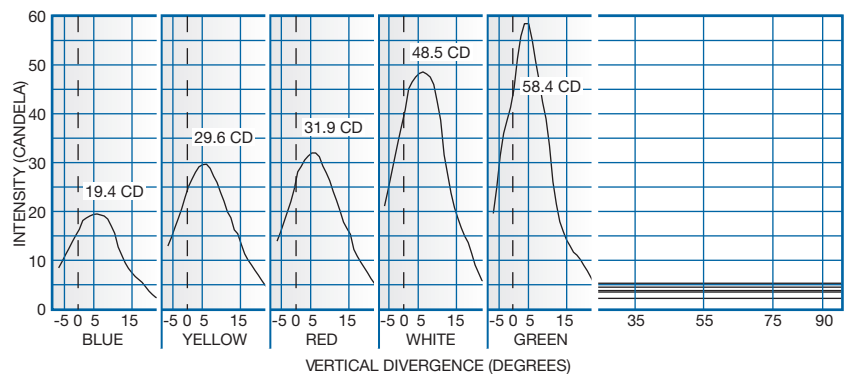
Options

Communication: GPS = GPS Flash Synchronization

Color (360 degrees):

- R = Red
- G = Green
- W = White
- Y = Yellow
- A = Amber
- B = Blue
- IR = IR

Typical Photometric Data



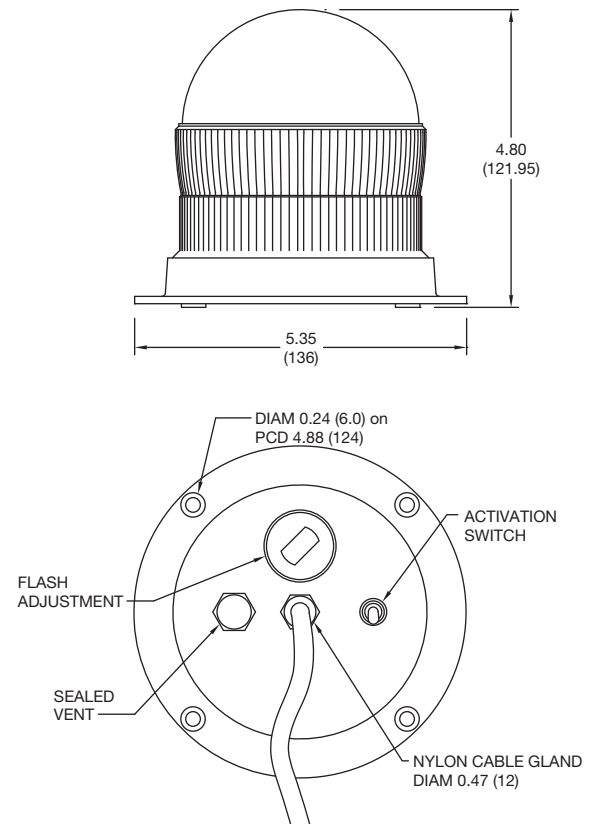
AV07 Steady ON

Specifications

Light Characteristics	
Light Source	20 ultra-high intensity LEDs
Available colors	Red (other colors available)
Peak Intensity (cd)*	Steady-on: Red - 11.4 Green - 20.9 White - 17.4 Yellow - 10.6 Flashing: Red - 31.9 Green - 58.4 White - 48.5 Yellow - 29.6
Horizontal Output (degrees)	360
Vertical Divergence (degrees)	0 to +12
Reflector Type	Omnidirectional 360° LED Reflector (US Pat. No. 6,667,582. AU Pat. No. 778,918)
Available Flash Characteristics	>250 including steady-on (user adjustable)
Intensity Adjustments	Adjustable in 25% increments
LED Life Expectancy (hours)	>100,000
Electrical Characteristics	
Current Draw (mA)	180
Circuit Protection	Integrated
Operating Voltage (v)	12
Temperature Range	-40°F to +176°F (-40°C to +80°C)
Physical Characteristics	
Body Material	LEXAN® Polycarbonate – UV stabilized
Lens Material	LEXAN® Polycarbonate – UV stabilized
Lens Diameter (mm/inches)	110 / 4 1/3
Lens Design	External optics with interior flute design
Mounting	4 x 6mm mounting holes
Weight (kg/lbs)	0.6 / 1 1/3
Product Life Expectancy	Up to 12 years

* Intensity setting subject to solar availability

Outline Drawing



Dimensions: inches (mm)

Instruction Manual: AV07

Solar Aviation Light Products are manufactured by Avlite Systems, Victoria, Australia.

