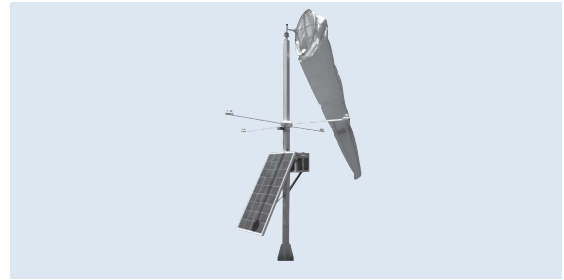


AV09-4WL

Solar Windsock Light Kit



Applications

- Solar Windsock Light Kit

The AV09-4WL Solar Windsock Light Kit provides users with a complete, reliable and low maintenance solution to windsock illumination.

Features

- CE Certified
- Integrated solar/battery system
- 140watt solar module (standard)
- 110Ah SLA battery (standard)
- Flexible installation with adjustable 2-piece clamp (50-150mm pipe)
- AV09 lights with 3watt ultra-high intensity LED - no globes to change!
- Solar module mounted for maximum solar collection
- External sun-switch for automatic night activation
- Weatherproof battery box and lockable galvanised cage for improved security

Ordering Information



Part Number: _____
AV09-4WL

Options

External ON/OFF Switch: _____
S = External ON/OFF Switch

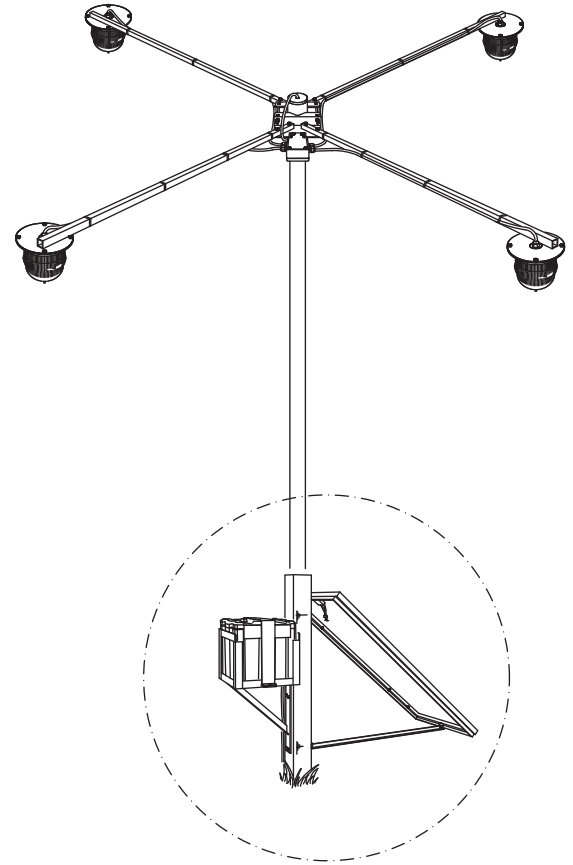
Communication: _____
RF = RF Radio Control

Specifications

| Light Characteristics | |
|--|--|
| Light Source | 4 x domed luminaires each with 1x 3watt ultra-high intensity surface-mounted LED |
| Available colors | White |
| Horizontal & Vertical Divergence (degrees) | 120 |
| LED Life Expectancy (hours) | >100,000 |
| Electrical Characteristics | |
| Current Draw (mA) | 1000 |
| Circuit Protection | Polarity protected |
| Operating Voltage (v) | 12 |
| Temperature Range | -40°F to +176°F (-40°C to +80°C) |
| Solar Characteristics | |
| Solar Module Type | Multicrystalline |
| Output (watts) | 140 |
| Solar Module Efficiency (%) | 15 |
| Charging Regulation | Controller |
| Power Supply | |
| Battery Type | SLA (Sealed Lead Acid) |
| Battery Capacity (Ah) | 2 x 55Ah |
| Nominal Voltage (v) | 12 |
| Autonomy (nights) | 8 |

* Intensity setting subject to solar availability

Outline Drawing



Dimensions: inches (mm)

Instruction Manual: AV09-4WL

Solar Aviation Light Products are manufactured by Avlite Systems, Victoria, Australia.

