

AV125-C-T2

Complete Solar LED Obstruction Light (Type 2)

Compliances:

ICAO Annex 14 Volume 1, 'Aerodrome Design and Operations', Fourth edition July 2004, Table 6.3.
LIOL Type B



Applications

- 12v Obstruction Light
- Solar Obstruction Light

The AV125 complete light assembly is a self-contained, solar powered obstruction light designed to meet obstruction, hazard, perimeter and general lighting needs in accordance with ICAO Annex 14, Chapter 6.

Features

- CE Certified
- LED technology
- Made from tough, durable polycarbonate
- Solar powered option available
- GSM monitoring available
- GPS flash synchronization available
- RF control available
- IP68 waterproof rating
- Automatic night activation
- Provided with 1m of cable for ease of installation
- User-adjustable intensity and flash characteristic settings
- Tough UV-stabilized LEXAN® polycarbonate lens and light base
- AV125 light-head
- (IP68 waterproof rating)
- 7-stage powder coated aluminium battery housing (IP66 waterproof)
- Automatic night activation
- Large extendable solar modules to ensure maximum solar radiation collection (one module standard)

Ordering Information



Part Number: _____
AV125-C-T2
(comes with 36 LEDs)

Solar Module: _____
1 = Single
2 = Dual

Options

Battery Upgrade: _____
100 = 100Ah

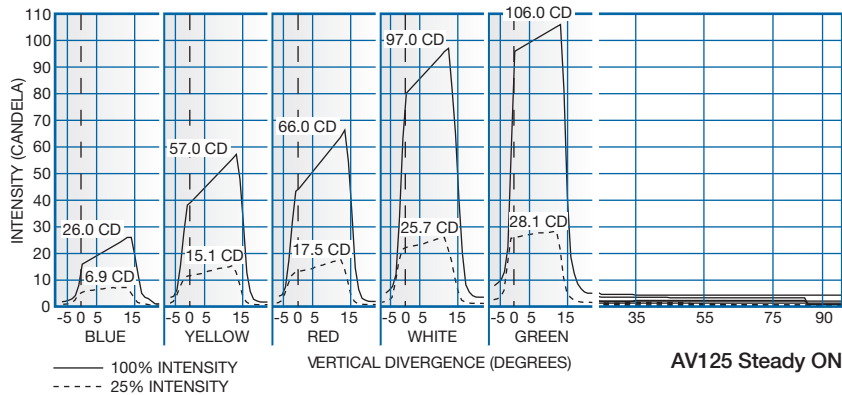
60 Watt Solar Panel Upgrade: _____
1-60 = Single Module
2-60 = Dual Modules

Communication (One Selection Max.): _____
HW = Hard-Wire Flash Synchronization
CS = RF Flash Synchronization
RF = RF Radio Control
GPS = GPS Flash Synchronization
GSM = GSM Cell-Phone Monitoring
GPS-GSM = GPS-GSM Cell-Phone Monitoring & Flash Synchronization

Base Post Upgrade: _____
BP = Extended Base Post

Color (360 degrees): _____
R = Red
G = Green
W = White
Y = Yellow
A = Amber
B = Blue
IR = IR

Typical Photometric Data

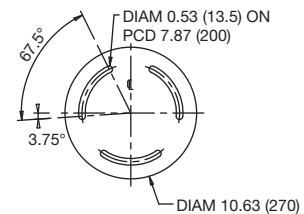
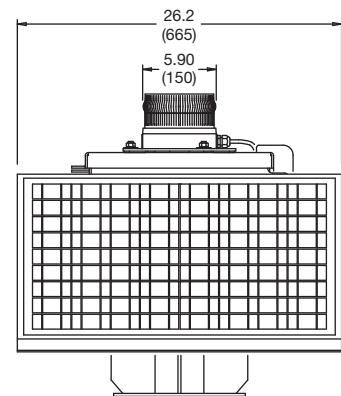
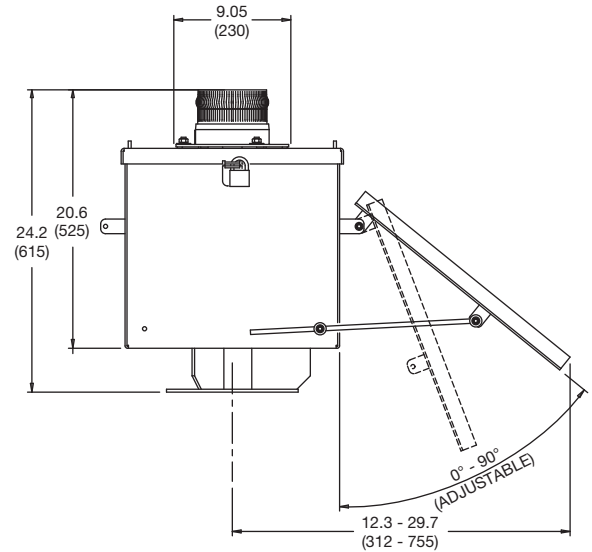


Specifications

Light Characteristics	
Light Source	AV125 Series LED Lantern
Available colors	Red (other colors available)
Peak Intensity (cd)*	Steady-on: Blue - 6.8 Red - 17.4 Green - 28.0 White - 25.7 Yellow - 15.1 Flashing: Blue - 26.3 Red - 66.1 Green - 106.2 White - 97.0 Yellow - 57.1
Horizontal Output (degrees)	360
Vertical Divergence (degrees)	Complies with ICAO spec for LIOL between 6° and 10°
Reflector Type	Omnidirectional 360° LED Reflector (US Pat. No. 6,667,582. AU Pat. No. 778,918)
Available Flash Characteristics	>250 including steady-on (user-adjustable)
Intensity Adjustments	Adjustable in 25% increments
LED Life Expectancy (hours)	>100,000
Electrical Characteristics	
Current Draw (mA)	420
Circuit Protection	Reverse polarity
Operating Voltage (v)	12
Temperature Range	-40°F to +176°F (-40°C to +80°C)
Solar Characteristics	
Solar Module Type	Multicrystalline
Output (watts)	40
Solar Module Efficiency (%)	14
Charging Regulation	Microprocessor controlled
Power Supply	
Battery Type	SLA (Sealed Lead Acid)
Battery Capacity (Ah)	55
Nominal Voltage (v)	12
Autonomy (nights)	Steady-on: >46 Flashing: >103 (14 hour darkness, 12.5% duty cycle)
Physical Characteristics	
Body Material	7-stage powder-coated aluminium
Lens Material	LEXAN® Polycarbonate – UV stabilized
Lens Design	External optics with interior flute design
Product Life Expectancy	Up to 12 years

* Intensity setting subject to solar availability

Outline Drawing



Dimensions: inches (mm)

Instruction Manual: AV125-C-T2

Solar Aviation Light Products are manufactured by Avlite Systems, Victoria, Australia.

