

L810 HAZARDOUS LOCATION ATEX CERTIFIED LED OBSTRUCTION LIGHT Suitable for Use in Hazardous Areas

Certified to:  II 3G
Ex nA IIC T4

Compliant to: ICAO (Annex 14)
Low Intensity
Type A or Type B



FEATURES/BENEFITS

- Inherent safety capability; low electrical/thermal energy and high light output
- Unique optically designed lens to enhance LED operation and provide 360° visibility
- Weather/corrosion resistant lamp assembly and housing
- Self-contained wiring compartment eliminates additional boxes
- Can be operated steady or flashed (controller not supplied)
- Available as a single or dual unit
- Resistant to shock and vibration
- Threaded 1" and 3/4" bottom hub for mounting
- NEMA 4X rated and IP66
- LED technology for extended life and energy efficiency
- Available in 120VAC and 240VAC
- T4 rated

APPLICATION

- The Cooper Crouse-Hinds Visual Signal Light is an LED based ATEX certified fixture. Used for visual indication in hazardous environments, providing a valuable solution to the petrochemical industry facilities.

ORDERING INFORMATION ATEX CERTIFIED PRODUCT

Voltage	Single Fixture	Dual Fixture	Color
120VAC	OALSR/120-ATEX	OALDR/120-ATEX	Red
240VAC	VALSR/240-ATEX	VALDR/240-ATEX	Red

CATALOG NUMBERING SYSTEM

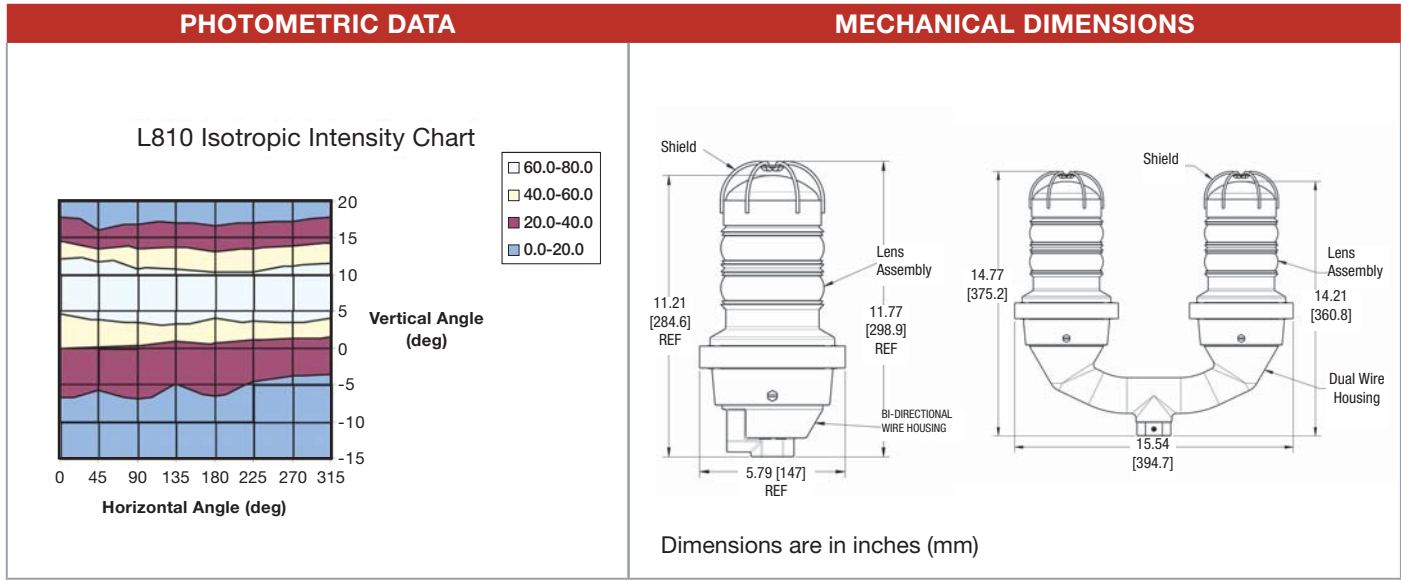
O Obstruction or V Visual Signal	R Red
A ATEX Certified	120, 240 Voltage AC
L Light Emitting Diode (LED)	-ATEX
S Single D Dual	

OPERATING CONDITIONS

- Temperatures ranging from -67°F to +131°F (-55°C to +55°C). Will withstand wind in excess of 150 mph (240 kph), salt fog.

FINISH

- Cast aluminum housing and stainless steel hardware.
- Electrostatically applied powdercoat of aviation orange paint.



WEIGHTS & MEASUREMENTS

Part Number	Approx. Shipping Weight	Container Dimensions
Single Unit	7.1 lbs	16" x 9" x 8"
Dual Unit	16.1 lbs	22" x 17" x 9"

ELECTRICAL SPECIFICATIONS

	PF	VA	OPERATING VOLTAGE			WATTS (W)		
			Min	Typ	Max	Min	Typ	Max
120VAC UNITS	0.3	65	92	120	132	10	15	18
240VAC UNITS (60Hz)	0.2	72	198	240	264	11	15	18
240VAC UNITS (50Hz)	0.2	73	198	240	264	12	13	17

