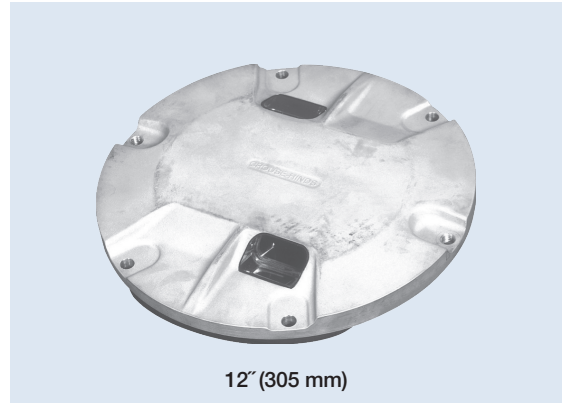


PRO III™ RCLI/TDZI 12"

Runway Centerline Light or Touchdown Zone Light or Rapid Exit Taxiway Indicator Light

Compliances:
ICAO Annex 14: Fig. 2.5, 2.6 and 2.7



Applications

The RCLI/TDZI light is a multi-use fixture for use as a runway centerline, touchdown zone and rapid exit taxiway light. The RCLI is a unidirectional and bidirectional light; typically clear/clear or clear/red, with two 48W lamps. When used as a rapid exit taxiway light it uses one 48W lamp in a green/blank configuration. The TDZI is a clear unidirectional light, with one 48W lamp. The RCLI/TDZI may be used on any ICAO airfield.

Features

- Low Profile, < .25" (6mm) – FAA Style 3
- High-strength aluminum optical assembly
- Low Power Consumption
- Few Parts to Stock
- Beam Orientation can be easily changed to left or right toe-in
- Easy to maintain – no sealant required for prism or feed-through assembly replacement
- Pressure test plug for seal integrity verification
- Long Lamp Life – Quartz Halogen, 48 W

Ordering Information

8 5 0 3 1 - - -

Fixture Type:

- A = Runway centerline light or Rapid Exit Taxiway Light*
- B = Touchdown zone light

Color Filters:

- CC = Clear/Clear (Fig. A2.7)
- CR = Clear/Red (Fig. A2.7)
- GX = Green/Blank (Fig. A2.12)
- RX = Red/Blank (Fig. A2.7)
- C = Clear (Fig. A2.5)
- CX = Clear/Blank (Fig. A2.12)
- YX = Yellow/Blank (Fig. A2.7)*

L-823 Plug Connection:

- P1 = One plug
- P2 = Two plugs (Fig. 2.7. Two color units only. Note: For this feature only, blank is not considered a color.)

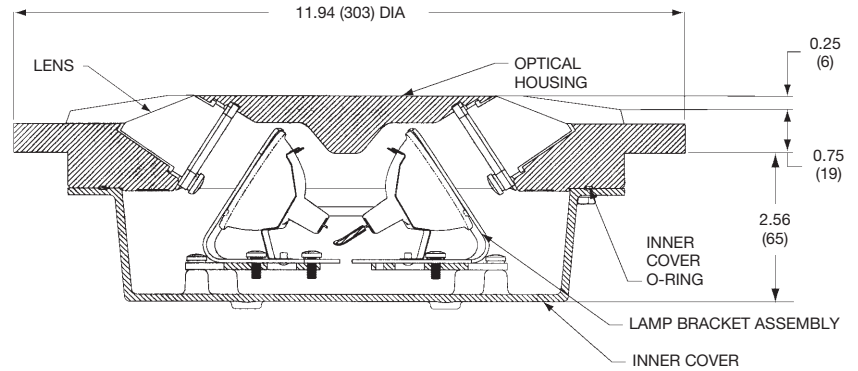
Beam Orientation (Fig. 2.5 only):

- L = Left Toe-in
- R = Right Toe-in
- S = Straight

* Rapid Exit Taxiway Light is YX configuration only.

Outline Drawings

Dimensions:	inches (mm)
Instruction Manual:	2404
Shipping Weight:	16.0 lbs 7.3 kg
Shipping Volume:	0.7 cu ft 0.02 m ³



Typical Photometric Data

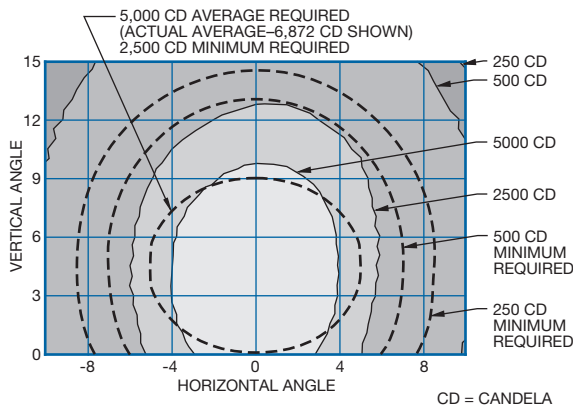


Fig. A2.7 – Runway Centerline Light, Clear

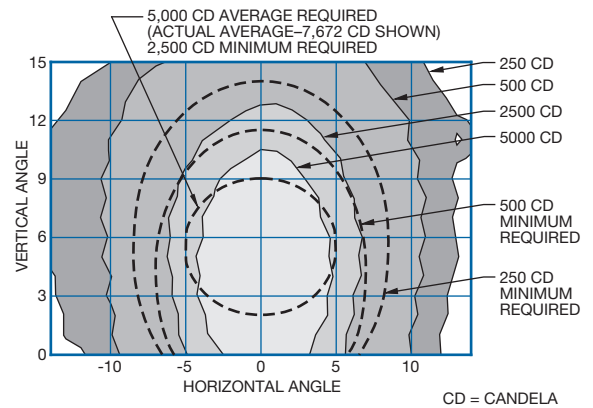


Fig. A2.5 – Touchdown Zone Light

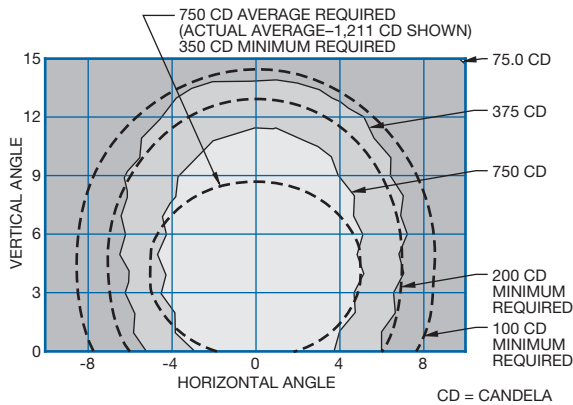


Fig. A2.7 – Runway Centerline Light, Red

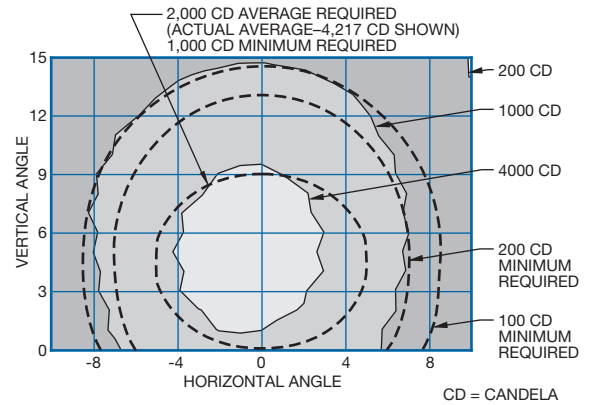


Fig. A2.7 – Rapid Exit Taxiway Indicator Light, Yellow

Accessories

Item Description	Catalog Number	Item Description	Catalog Number
Base: L-868B, Class I, 24" Deep	AC24242H200303	Isolation Transformer – 100 W, 20/6.6 A	33005
Connector Kit – L-823, 8 AWG, 0.32" to 0.43" O.D.	823KP-D4-D4	Isolation Transformer – 100 W, 6.6/6.6 A	33004
Heat Shrink Kit – 1 Piece	10047-2154	Isolation Transformer – 45 W, 6.6/6.6 A	33001
Heat Shrink Kit – 2 Piece	10047-1425		

Renewal Parts

Description	Part Number	Description	Part Number
Feed-through Assembly – 1 Lamp, 1 Connector	21122	Lamp Bracket Assembly	21461
Feed-through Assembly – 2 Lamp, 1 Connector	21121	Lens Replacement Kit – Clear	21126-C
Gasket – Bottom Cover	21140	Lens Replacement Kit – Red	21126-R
Lamp – 48 W, 6.6 A	21116	Lens Replacement Kit - Yellow	21126-Y

Note:

1. Lens Replacement Kit includes lens, lens boot, lens retaining gasket, gasket lubricant, and lens retaining bracket and screws.

