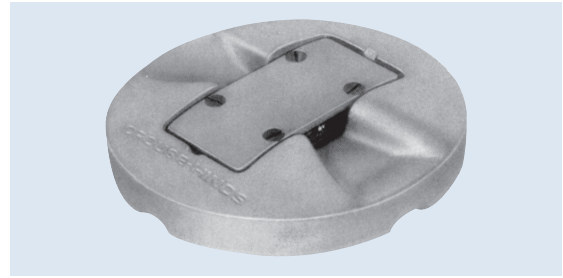


RCLN

Runway Centerline Light – Navy

Compliances:
U.S. Navy NAVAIR 51-50AAA-2



Applications

The RCLN has been designed to meet the harsh environment of military runway centerline lighting where tail hooks may be present. These lights come with an extra- strength stainless steel base and thick top optical assembly. The optical assembly houses the lamp, filters and lenses required to form the proper light beam. Lights are available in four types for various installation requirements.

Features

- Removeable optical high-strength ductile iron cartridge
- Variety of mounting choices.
- Hardened stainless steel base for tail hook resistance.
- Zinc plating on stainless steel base for maximum corrosion resistance.
- Optional metallic-ceramic coating for increased corrosion resistance.

Ordering Information

How to order: Select the basic catalog number. Add suffixes for filter, lamp type and options (if any).

Example: 18749-RC is a bidirectional L-852N Type 5 light with red filter on one side and with the other side clear. The lamp with film disc cutout is furnished with this light.



Fixture Type:
 18749 Type 5, 8"
 20324 Type 6, 8" two-piece
 20381 Type 7, 10"
 20382 Type 8, 12"

Filter Code:
 CC = Clear/Clear
 CR = Clear/Red
 CX = Clear/Blank
 RX = Red/Blank

Options:
 65 = 65 W Lamp (45 W standard)
 CR = Corrosion Resistant Coating (Optical Assembly only)
 NF = Lamp Without Film Disc Cutout

Accessories

Description	Catalog Number	Specification	Shipping Weight		Shipping Volume	
			Lbs.	Kg	Cu.Ft.	Cu.M.
Connector Kit – Refer to data sheet ET-8.1						
Spacer Ring, 3/4" thick (10")	AF5102-12		6.0	2.7	0.043	0.001
Spacer Ring, 3/4" thick (12")	AF5402-12		7.25	3.3	0.06	0.002
Transformer, 30/45 W, 6.6/6.6 A	33001-2	MS27289-1	8.0	3.6	0.2	0.006
Transformer, 30/45 W, 6.6/6.6 A	33001	FAA L-830-1	8.0	3.6	0.2	0.006
Transformer, 65 W, 6.6/6.6 A	33003	FAA L-830-3	9.0	4.0	0.1	0.006
Type 7 Base, Size A, 10" diameter L-868	AC15242H200003**		43.0	20.0	2.1	0.06
Type 8 Base, Size B, 12" diameter L-868	AC24242H200003**		63.0	29.0	2.5	0.10

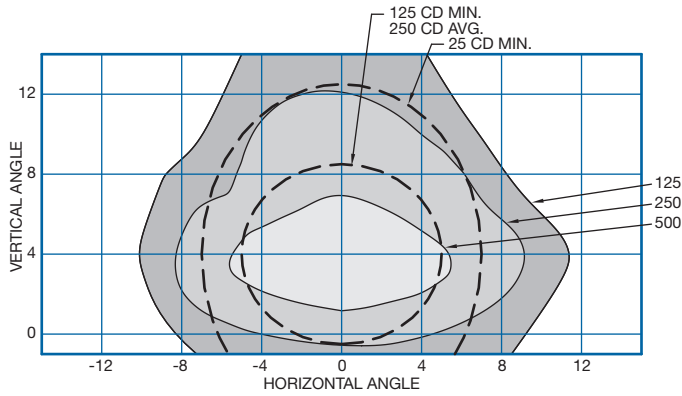
** Other bases, such as sectional type, may be required, depending on method of installation.

Renewal Parts

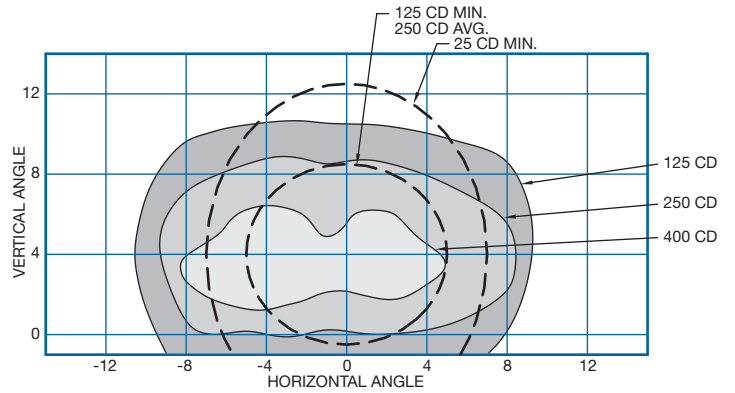
Description	Part Number	Description	Part Number
Filter Spring	19463	Optical Assembly (Add Colors)	19900-XX
Filter, Red	20654-R	Optical Base/Lamp Assembly	85203-5-F
Gasket	19241	O-Ring – Optical Assembly	19695
Housing/Lens Assembly	19899	Screw – High-Strength Mounting Blk. Oxide	19848
Lamp assembly (45 W)	20936-**	Sleeve – Waterproofing	18448
Lamp assembly (65 W)	19484-**	Socket Assembly	19694
Lead Assembly	19313-3		

** Insert "F" for lamp with film disc cutout (standard) or "NF" for lamp without film disc cutout (optional).

Typical Photometric Data



RCLN - Clear Filter / CD AVG: 538 / MAX/AVG: 1.46

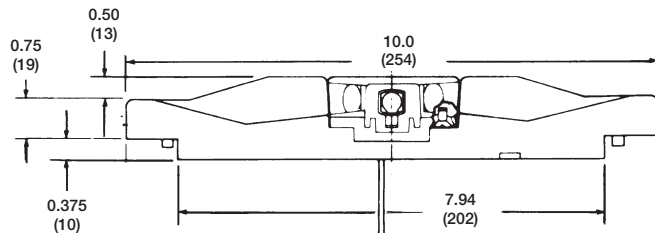
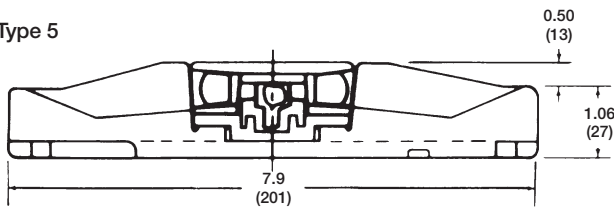


RCLN - Red Filter / CD AVG: 394 / MAX/AVG: 2.34

Dimensions:	inches (mm)
Instruction Manual:	8005
Shipping Weight:	12.0 lbs. 5.44 kg
Shipping Volume:	.3 cu.ft. .01 cu.m.

Outline Drawings

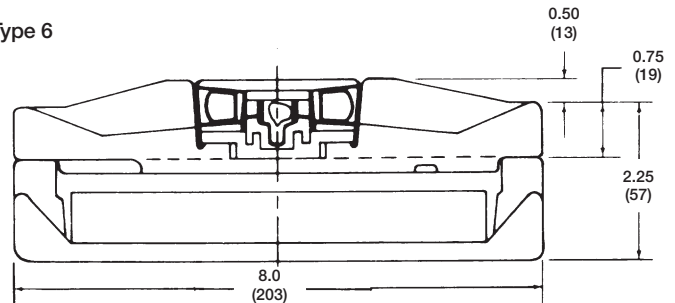
Type 5



Type 7*

* For FAA shallow or deep base mounting.

Type 6



Type 8*

