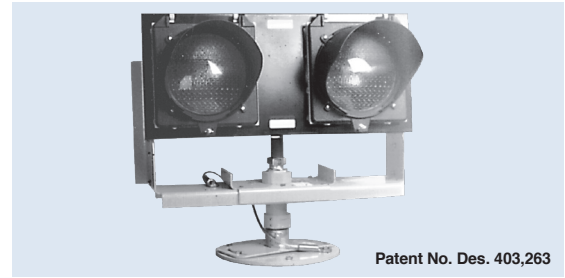


RGL

Runway Guard Light

Compliances:

- FAA AC 150/5345-46: L-804
- ICAO Annex 14, Fig. A2-25



Applications

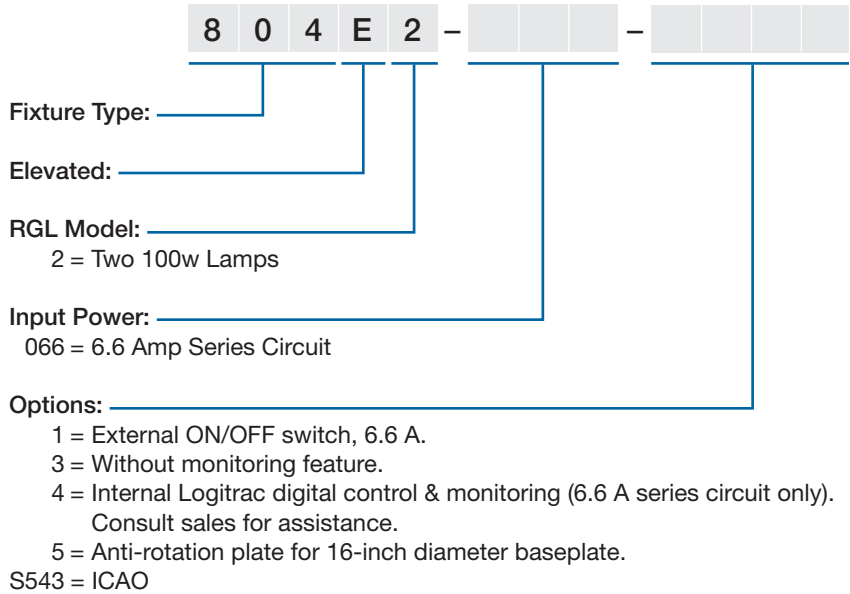
The RGL (Runway Guard Light) is used to enhance the visibility of taxiway holding positions. Two RGL fixtures are installed at each end of the holding position line. Each fixture alternately flashes its two lamps.

Features

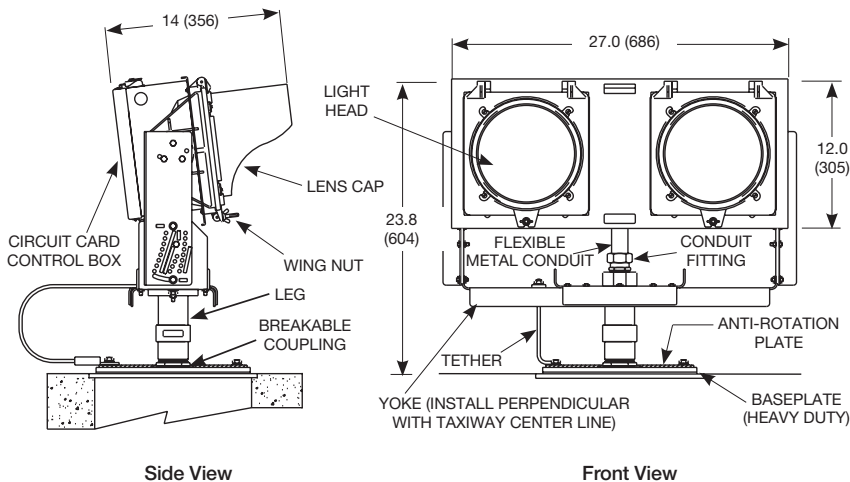


- ETL Certified L-804
- Uses two 100 W (PK-30d) quartz halogen lamps
- Adjustable light beam elevation with positive locking in one-degree increments
- Minimum average intensity exceeds 3000 candelas in traffic yellow
- Alternately flashes 45–50 times per minute
- Easy to maintain – no tools are required for relamping or replacing circuit cards
- External ON/OFF switch allows field relamping or circuit card replacement without de-energizing entire power loop (see option 1)
- High-strength frame and aluminum housing
- Base mounted with 2-inch frangible coupling
- Supplied with tether and 12-inch anti-rotation locking plate
- 300 MPH jet blast resistant
- Basic unit supplied with dry contact output monitoring
- Computer control and monitoring available (see option 4)

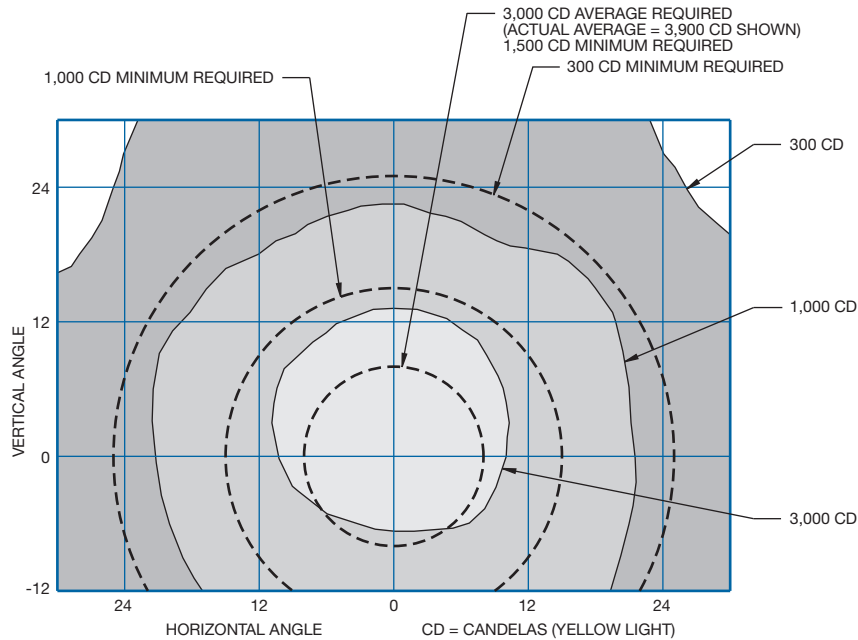
Ordering Information



Dimensions:	inches (mm)
Instruction Manual:	2520
Shipping Weight:	55 lbs. 25 kg
Shipping Volume:	7.22 cu. ft. 0.204 m ³



Typical Photometric Data



Typical photometric output of runway guard light,
yellow, steady burning @ 6.6 amps (804E2-066 shown)

Accessories

Description	Catalog Number	Shipping Weight lb.	Shipping Weight kg.	Shipping Volume cu.ft.	Shipping Volume cu.m.
Base L867, Class I, 24" Deep	AC21242H200301	52.0	23.6	2.6	0.074
Baseplate, 12" Diameter	AP1832				
Baseplate, 16" Diameter	AP2832				
Isolation Transformer, 100 Watts, 6.6/6.6 A	33004	8.9	4.04	0.3	0.004

Renewal Parts

Description	Part Number	Description	Part Number
Anti-rotation Plate, 12"	50244	Lens, Aviation Yellow (ICAO)	10050-17-AY
Anti-rotation Plate, 16" (option 5 only)	50244-1	Lens Gasket	50491-G
Circuit Card Mounting Screw	10000-367	Logitrac Circuit Assembly (option 4 only)	10056-1752
Control Box Door Assembly (includes gasket, warning label, hinge half and strike)	50500	Logitrac Mounting Plate (option 4 only)	50276
Control Circuit Card, 6.6 A Units	50260-1	Male-Female Hex Standoff, for Units with Monitoring (except option 4)	10037-409
Frangible Coupling	60683-10A	Monitor Circuit Card, 6.6 A Units (except option 4)	50265-1
Lamp, 100 W, 6.6 A (PK-30d)	10047-2138	Tether	60984
Lamp, 150 W (PK-30d, ICAO)	10047-2310	Wire (group E replacement, option 4 only)	50255

* Traffic Visor, Traffic Signal Head and PC Weldment parts have changed as of June 2005.
Consult factory for replacement availability.

