

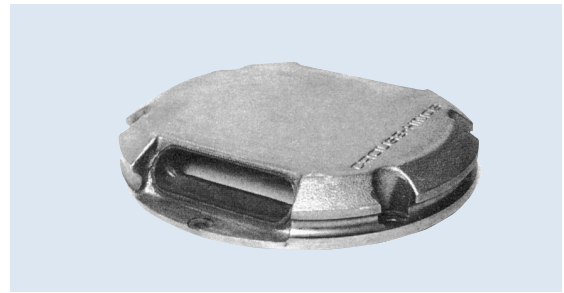
## RTEL

### Runway Threshold and End Light

No longer available for new installations, use IRTEL.

Compliances:

- FAA AC 150/5345-46: L-850D
- ICAO Annex 14
- UFC 3-535-01



### Applications

The RTEL is a high intensity bidirectional light used on runways where the threshold and end lighting are co-located. The green threshold light's main beam may be straight or toed-in 3.5 degrees. The red runway end light has a straight beam. The two lamps are typically connected to separate circuits with the red side operated by the runway edge lighting circuit.

### Features

- FAA Approved L-850D
- Proven reliability
- Variety of mounting methods
- Optional high-strength casting approximately double the tensile strength of ductile iron
- Optional metallic-ceramic coating for increased corrosion resistance

### Application Notes

- Sectional Class I bases may be required for proper installation.

### Ordering Information

**How to Order:** Select the number of leads to match the number of isolation transformers to be used. Choose the letter to match the base size to be installed. Add designations for the lamp wattage and colors. The orientation of the color symbols determines the optical beam toe-in.

**Example:** An 850D2-C-185-RG is a bidirectional threshold and end light with right toe-in on the green beam and a straight red beam. It mounts on a 14.25-inch bolt circle base. This fixture is furnished with two 185 watt lamps. It has two leads for making connections with two 200 watt isolation transformers.

8	5	0	D	-		-		-		-		-		-	
---	---	---	---	---	--	---	--	---	--	---	--	---	--	---	--

**FixtureType:** [Line to 'D']

**Number of Leads:** [Line to '2']  
 1 = 1 Lead with L-823 plugs  
 2 = 2 Leads with L-823 plugs

**Base Size:** [Line to 'C']  
 C = 14.25-inch bolt circle

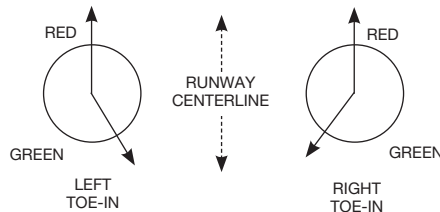
**Lamp Wattage:** [Line to '185']  
 185 = 2 x 185 W lamps

**Color/Color\*\*:** [Line to 'RG']  
 G = Green/Clear  
 R = Red/Blank

**Beam Orientation:** [Line to 'S']  
 S = Straight beams both sides  
 No symbol means there is toe-in\*\*

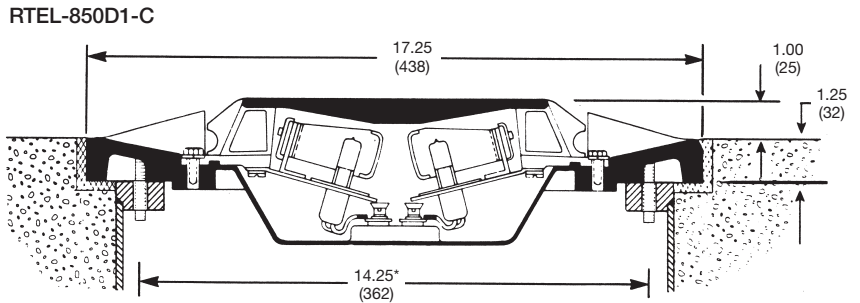
**Options:** [Line to 'NM CR']  
 NM = High-Strength Casting  
 CR = Corrosion Resistant Coating

\*\* Refer to the color symbol position:  
 The red beam is always straight.  
 The first color is left toe-in;  
 The second color is right toe-in.



## Installation Drawings

Dimensions:	inches (mm)
Instruction Manual:	8401
Shipping Weight:	90.0 lbs. 41.0 kg
Shipping Volume:	1.00 cu. ft. 0.32 m <sup>3</sup>



\* Diameter for six (6) equally spaced bolts.

## Accessories

Item Description	Catalog Number	Shipping Weight Lbs.	Shipping Weight kg	Shipping Volume Cu. Ft.	Shipping Volume m <sup>3</sup>
Base: L-868C, Class I, 24" Deep	AC35242Q200303	78.0	35.4	3.0	0.085
Connector Kit L-823, 8 AWG, 0.32" to 0.43" O.D.	823KP-D4-D4				
Heat Shrink Kit	10047-1425				
Transformer L-830-4, 100 W 6.6/6.6 A	33004	12.0	5.4	0.4	0.011
Transformer L-830-6, 200 W 6.6/6.6 A	33006	16.0	7.3	0.4	0.011

## Renewal Parts

Description	Part Number	Description	Part Number
Bolt	10000-365M	Lamp 200 W	20268
Bottom Cover Assembly (1 Lead)	20257	Lock Washer	11A11-031D
Bottom Cover Assembly (2 Leads)	20253	Mounting Ring	20183
Film Disc Cutout	10047-409	Optical Assembly: 1 Lead	20266-XXX-XX*
Filter Assembly, Green	20073-BG	Optical Assembly: 2 Leads	20261-XXX-XX*
Filter Assembly, Red	20073-BR	O-Ring, Inner Cover	10035-33-274
Filter Assembly, Yellow	20073-Y	Reflector	20148
Lamp 115 W	20496	Socket	19095
Lamp 185 W	20538	Socket Holder	19096

\* Add lamp wattage and colors

### Note:

1. Fixture with total lamp wattage greater than 150 W should not be mounted on 12" diameter base less than 20" deep.
2. Class II bases are not recommended for this application.

